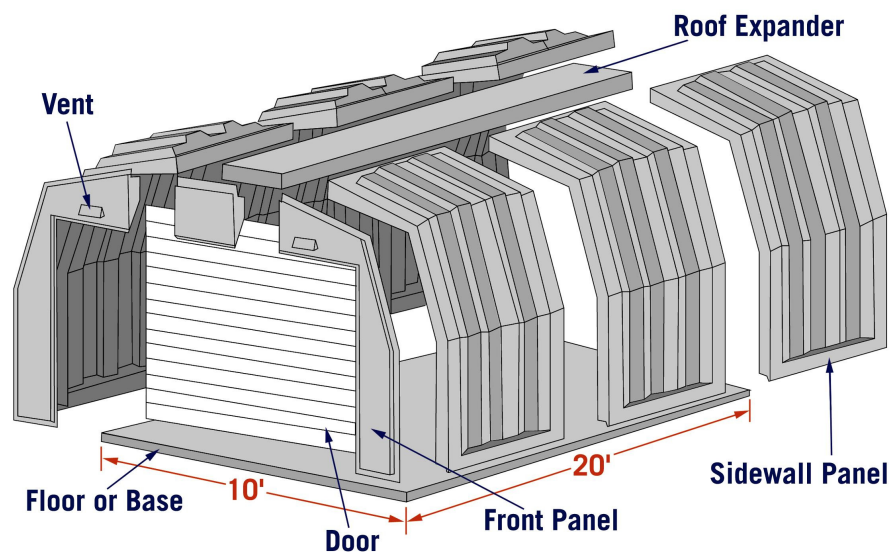
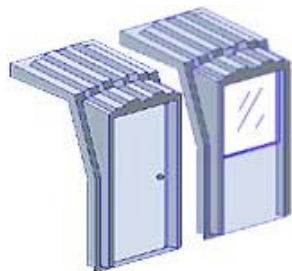


Building System

MODULAIRE® Enclosures modular component design supports a variety of building configurations. Being a component based building system it is easy to expand an existing building by simply adding the necessary components. These enclosures are able to accommodate a wide range of doors and openings in the front and rear panels of the structures, but occasionally a door or window may be required elsewhere in the structure. In such a case, we offer sidewall panels able to accommodate man doors and/or windows to suit this need. The front and rear panels may be modified to fit a variety of door sizes and types including roll-up and man doors.



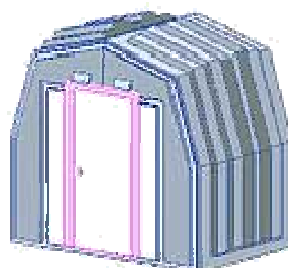
Door Options



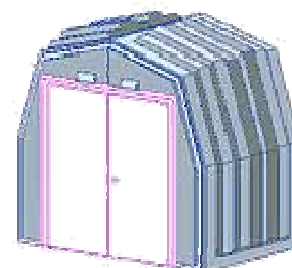
Sidewall Man Door and Window



Roll-Up Door

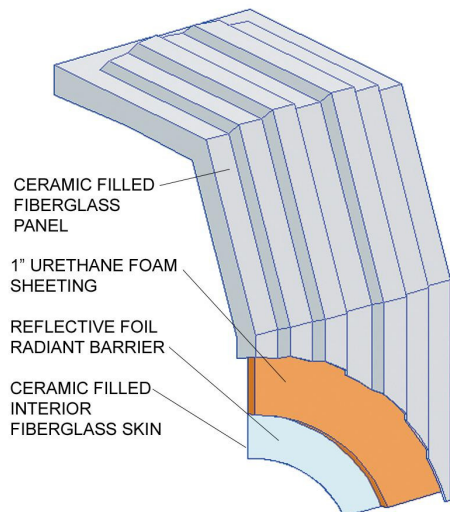


Single Man Door



Double Man Door

Sandwich Panel Insulation

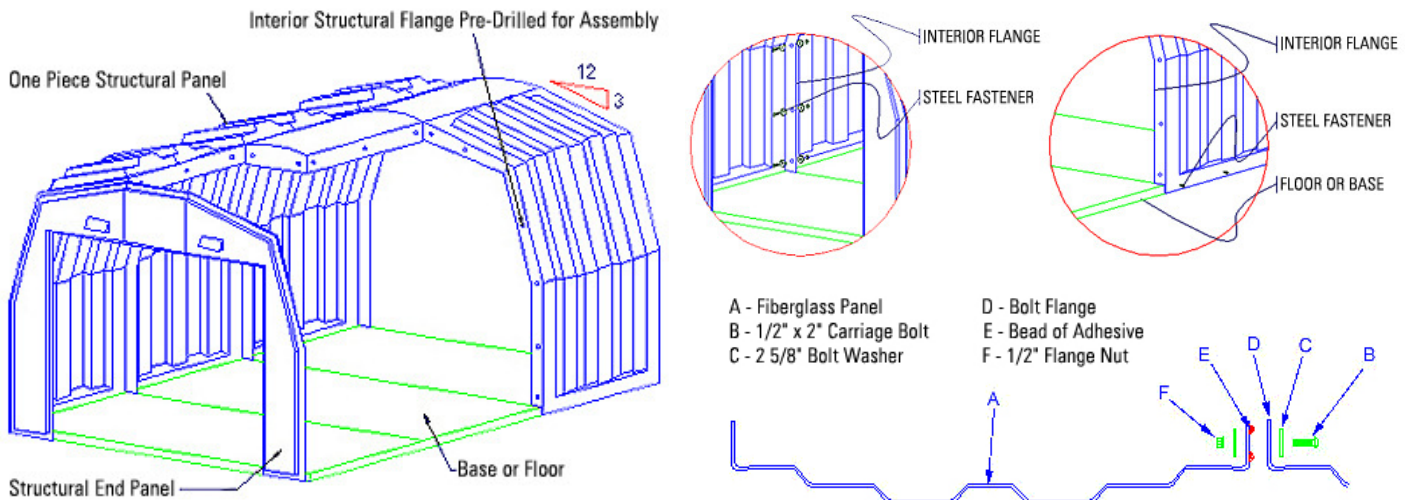


Fiberglass Building System

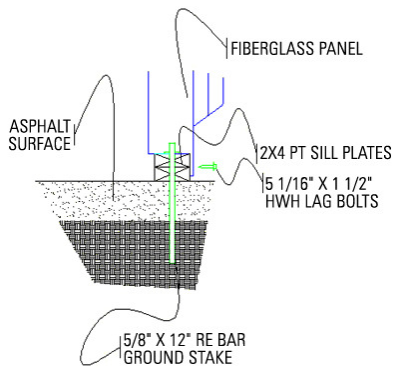
Component Mounting & Fastening

The primary component of the building system is the sidewall panel. It is designed to be mounted on a variety of base or flooring systems, including wood, asphalt and concrete. All of the fiberglass components have notches cut into the bolt flanges of the panels, allowing them to easily be placed over the edge of any given base. Exterior fasteners are stainless steel, interior fasteners are zinc coated.

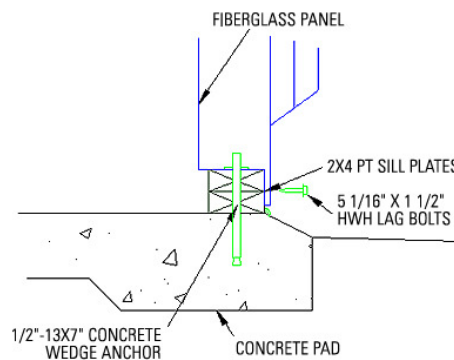
Fastening



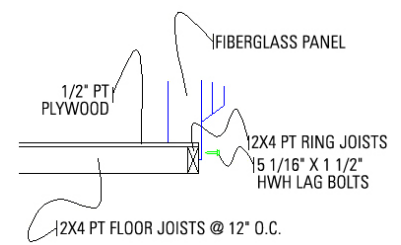
Mounting and Assembly



Asphalt Mounting



Concrete Mounting



Wood Mounting



Need Space? Call ModSpace – your source for modular buildings & storage
800-523-7918 (U.S.) • 800-451-3951 (Canada) • www.modspace.com