



# ModSpace®

## Mobile Office: GS-2456 (24' x 56' – 1,344 sq. ft.)

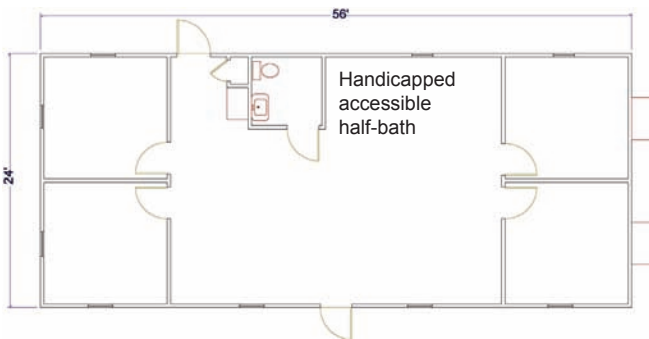


### Specifications

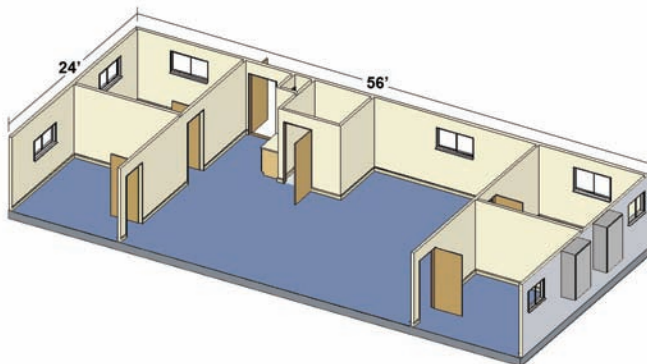
- 24' x 56' building size;  
24' x 60' overall size (w/towing hitch)
- (4) 12' x 12' private office;  
(1) 24' x 32' common area
- 1,344 square feet of interior floor space
- Electric, plumbing, heat and air conditioning
- 50 lbs. per square foot allowable floor load

### Features

- Insulated walls, ceilings and floors
- 1/8" vinyl floor tile
- .019 deluxe aluminum siding or decorative siding
- Paneled or vinyl covered gypsum walls
- Sliding windows
- 120V electrical outlets
- (2) 36" x 80" lockable exterior door
- (5) 36" x 80" interior doors  
(3 with half bath model)
- Fluorescent lighting
- 8' ceiling height
- Central heating and air conditioning



\* Overall length and width may exceed box size. All dimensions are nominal



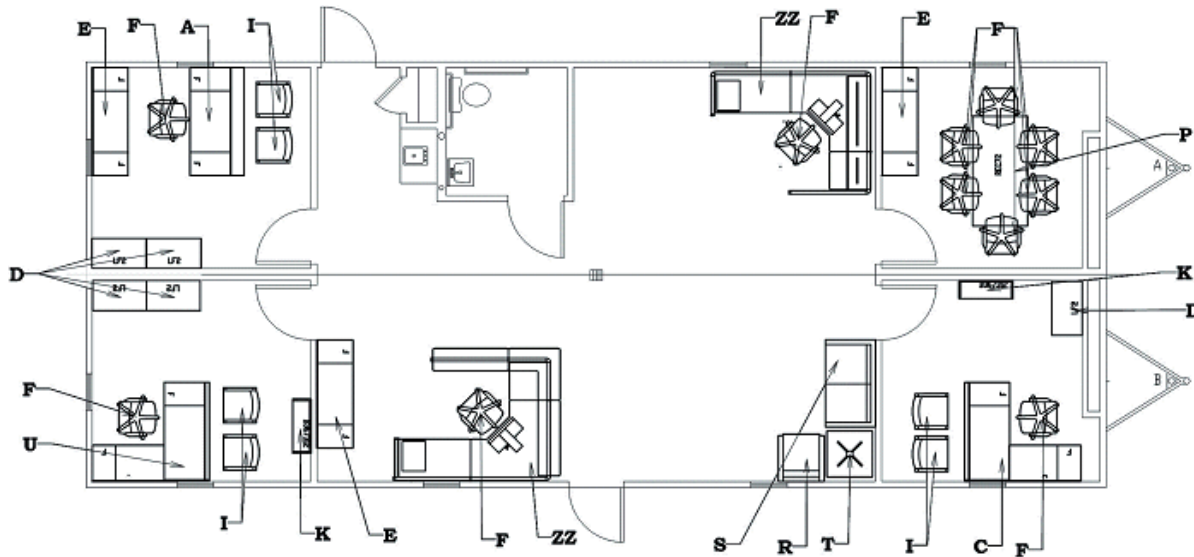
Floor plans may vary. Other sizes, floor plans, configurations and specifications are available. Wood, vinyl and metal exteriors, skirting and other customization of features, options and finishes are available upon request.

A wide variety of code compliant steps are available, such as: OSHA 2 & 3 step models, CAL OSHA 3 & 4 step models and General Code 3 & 4 step models.

All features noted are ModSpace standards. Specifications may vary by region. Contact your local ModSpace representative for details on unit specifications available in your area.

# Mobile Office: GS-2456 (24' x 56' – 1,344 sq. ft.)

## Proposed Furniture Packages:



Description	Shown	Description	Shown
A Executive Desk (36" x 72")	1	K Bookcase (72")	2
B Jr. Executive Desk (30" x 60")	0	L 4 Drawer Lateral File	0
C Desk w/return (30" x 66", R-desk/L-return)	1	M Computer Table (30" x 48")	0
U Desk w/return (30" x 66", L-desk/R-return)	1	N Folding Table (5')	0
D 2 Drawer Lateral File	5	O Round Conference Table (48")	0
E Knee Space Credenza (72")	3	P Rectangle Conference Table (6')	1
F Executive High Back Chair	11	Q Storage Cabinet w/Lock (72")	0
G Jr. Executive Low Back Chair	0	R Reception Chair	1
H Task Chair with arms	0	S Loveseat	1
I Guest Chair	6	T Side Table	1
J Stack Chair	0	ZZ Work Stations	2

Proposed Furniture Package: Customer may change quantities or mix items. To receive more information on upgraded furniture colors and styles, or additional value-added products and services, contact your sales representative.



Need Space? Call ModSpace – your source for modular buildings & storage.  
800-523-7918 (U.S.) • 800-451-3951 (Canada) • [www.modspace.com](http://www.modspace.com)